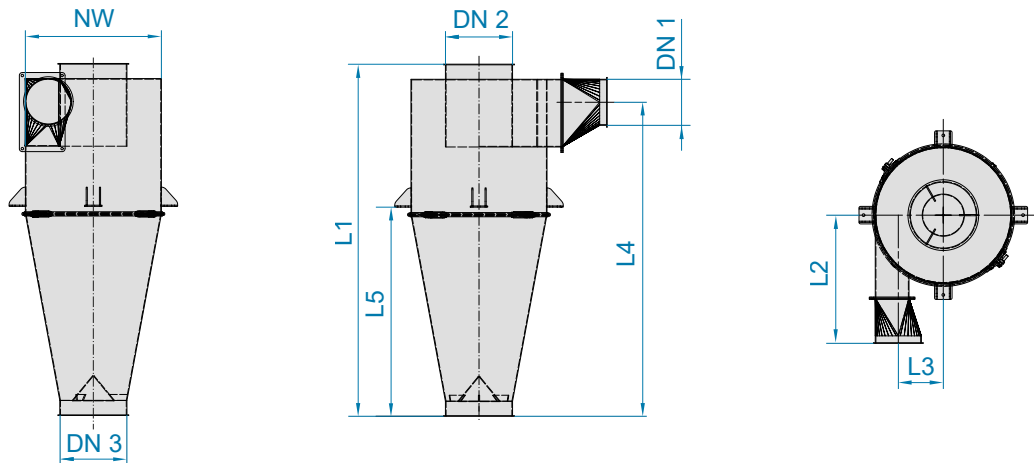


WE PUT OUR OWN SPIN ON IT:
RELIABLE PARTICLE SEPARATION
WITH CYCLONES



Technical data

The cyclones are part of the JACOB modular pipework system. They can be integrated into your system as needed.



**Cyclones, diameters 250–1000 mm,
Inlet and outlets with 6 mm lip, powder-coated RAL 7032, galvanised,
Stainless steel 1.4301 (AISI 304) shotblasted, 1.4571 (AISI 316Ti) pickled and passivated**

NW	DN 1	DN 2	DN 3	L1	L2	L3	L4	L5	Volumetric flow	Pressure loss	Separation rate 95 % at particle size	2 mm powder-coated	
mm									m ³ /h	Pa	µm	Item no.	€
250	80	120	120	650	262	87	560	375	407	1020	>10	4202002512255	647.50
300	100	150	150	800	302	102	699	475	636	1012	>10	4202003012255	727.00
350	120	175	175	925	347	117	814	550	865	924	>12	4202003512255	798.50
400	140	200	200	1050	386	131	931	625	1130	980	>12	4202004012255	821.00
450	150	224	224	1170	426	151	1044	695	1418	984	>13	4202004512255	889.00
500	175	250	250	1300	471	164	1161	775	1766	980	>13	4202005012255	954.00
560	200	280	280	1450	516	181	1299	865	2216	980	>14	4202005612255	1,021.00
630	224	300	300	1550	576	204	1389	895	2543	975	>15	4202006312255	1,101.00
710	250	350	350	1800	647	232	1474	1040	3462	978	>16	4202007112255	1,185.00
800	280	400	400	2050	717	262	1710	1200	4522	980	>18	4202008012255	1,599.00
900	300	450	450	2300	802	302	1949	1350	5723	980	>18	4202009012255	1,710.00
1000	350	500	500	2550	887	327	2174	1500	7065	980	>19	4202010012255	2,131.00

**Cyclones, diameters 1120–2300 mm,
Inlet and outlets with welded-on flanges, powder-coated RAL 7032, galvanised,
Stainless steel 1.4301 (AISI 304) shotblasted, 1.4571 (AISI 316Ti) pickled and passivated**

NW	DN 1	DN 2	DN 3	L1	L2	L3	L4	L5	Volumetric flow	Pressure loss	Separation rate 95 % at particle size	3 mm powder-coated	
mm									m ³ /h	Pa	µm	Item no.	€
1120	400	560	560	2900	987	362	2449	1650	8862	1003	>19	4202011212255*	2,383.00
1120	400	560	560	2900	987	362	2449	1650	8862	1003	>19	4203011212255	2,978.00
1250	450	630	630	3250	1097	402	2774	1900	11216	998	>21	4202012512255*	2,799.00
1250	450	630	630	3250	1097	402	2774	1900	11216	998	>21	4203012512255	3,499.00
1400	500	710	710	3650	1217	452	3149	2130	14246	980	>22	4203014012255	4,835.00
1600	560	800	800	4100	1387	522	3569	2400	18086	980	>24	4203016012255	5,658.00
1800	630	900	900	4600	1552	587	4034	2700	22891	980	>25	4203018012255	6,289.00
2000	710	1000	1000	5100	1717	647	4493	3000	28260	980	>28		
2300	800	1120	1120	5850	1967	752	5198	3450	37374	980	>29		

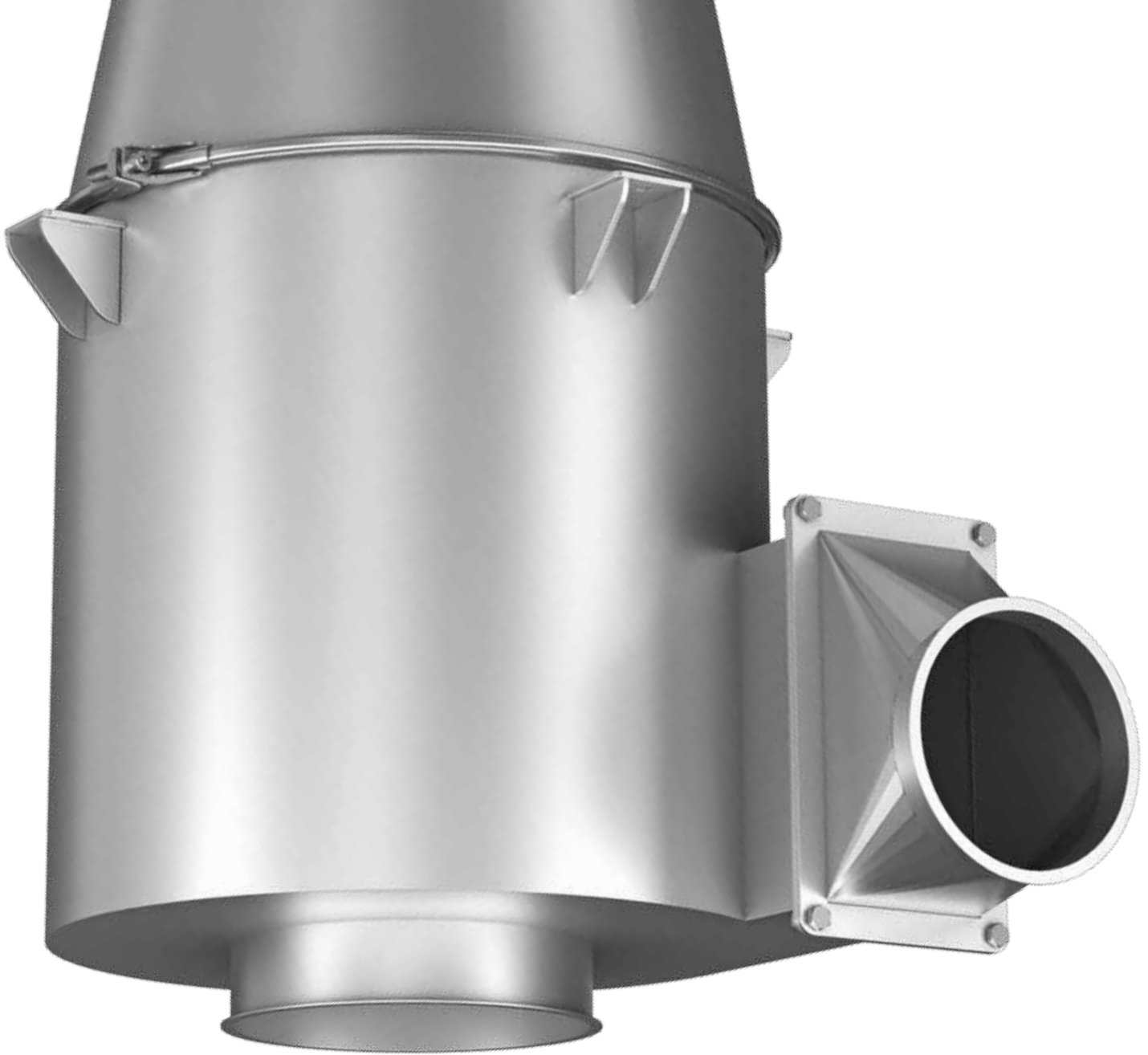
* 2 mm

The volume flow is related to a flow velocity within the pipework system of 20–24 m/s at the connection to the cyclone. Separation rate and pressure loss are based on a material load of 1 kg/m³.



3 mm powder-coated		2 mm galvanised		3 mm galvanised		2 mm CrNi steel shotblasted		2 mm CrNi steel pickled and passivated	
Item no.	€	Item no.	€	Item no.	€	Item no.	€	Item no.	€
4203002512255	809.50	4202002522255	796.00	4203002522255	971.50	4202002532255	1,305.00	4202002542255	1,631.00
4203003012255	908.50	4202003022255	894.00	4203003022255	1,091.00	4202003032255	1,545.00	4202003042255	1,936.00
4203003512255	998.00	4202003522255	982.00	4203003522255	1,198.00	4202003532255	1,785.00	4202003542255	2,233.00
4203004012255	1,027.00	4202004022255	1,010.00	4203004022255	1,233.00	4202004032255	1,946.00	4202004042255	2,433.00
4203004512255	1,111.00	4202004522255	1,094.00	4203004522255	1,333.00	4202004532255	2,107.00	4202004542255	2,634.00
4203005012255	1,192.00	4202005022255	1,174.00	4203005022255	1,430.00	4202005032255	2,262.00	4202005042255	2,826.00
4203005612255	1,277.00	4202005622255	1,256.00	4203005622255	1,533.00	4202005632255	2,414.00	4202005642255	3,018.00
4203006312255	1,376.00	4202006322255	1,355.00	4203006322255	1,652.00	4202006332255	2,569.00	4202006342255	3,211.00
4203007112255	1,482.00	4202007122255	1,458.00	4203007122255	1,778.00	4202007132255	2,730.00	4202007142255	3,411.00
4203008012255	1,998.00	4202008022255	1,966.00	4203008022255	2,398.00	4202008032255	3,313.00	4202008042255	4,142.00
4203009012255	2,136.00	4202009022255	2,101.00	4203009022255	2,562.00	4202009032255	4,166.00	4202009042255	5,207.00
4203010012255	2,663.00	4202010022255	2,620.00	4203010022255	3,196.00	4202010032255	5,019.00	4202010042255	6,273.00

3 mm spray-primed		3 mm galvanised		3 mm CrNi steel shotblasted		3 mm CrNi steel pickled and passivated	
Item no.	€	Item no.	€	Item no.	€	Item no.	€
		4202011222255*	2,931.00	4202011232255*	5,811.00	4202011242255*	7,263.00
		4203011222255	3,574.00	4203011232255	7,263.00	4203011242255	9,077.00
		4202012522255*	3,443.00	4202012532255*	6,824.00	4202012542255*	8,530.00
		4203012522255	4,198.00	4203012532255	8,532.00	4203012542255	10,664.00
		4203014022255	5,802.00	4203014032255	10,965.00	4203014042255	13,705.00
		4203016022255	6,790.00	4203016032255	11,730.00	4203016042255	14,660.00
		4203018022255	7,546.00	4203018032255	13,721.00	4203018042255	17,151.00
4203020012255	7,358.00	4203020022255	8,830.00	4203020032255	16,056.00	4203020042255	20,069.00
4203023012255	8,018.00	4203023022255	9,621.00	4203023032255	18,466.00	4203023042255	23,080.00



During industrial processes, it is often necessary to remove particles from the air or gas flow. This is done when raw materials are recovered, but also when the air flow is cleaned. The JACOB portfolio includes cyclones for this purpose in its standard range. These set the air flow in motion and rotate it. Particles are separated in the process using centrifugal force. Since cyclones are passive components, their effectiveness depends on numerous factors such as the performance of the

fan. Our experts would be pleased to help you with their experience and assist you with selecting the right cyclone. Our standard range of JACOB cyclones is available in diameters ranging from 250-1000 mm with lipped connections, and cyclones with diameters from 1120-2300 mm with welded-on flanges. If our standard range does not have the right size for a special challenge that you have, JACOB will manufacture cyclones to your specification.

FR. JACOB SÖHNE GMBH & CO. KG

Domestic sales

T +49 571 9558-200

F +49 571 9558-127

sales@jacob-rohre.de

www.jacob-pipesystems.com

JACOB

NO. 1 IN PIPEWORK SYSTEMS