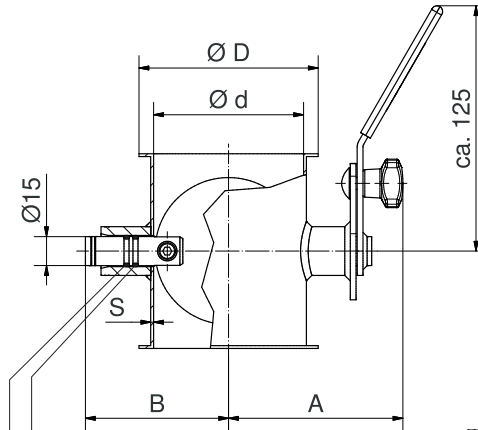
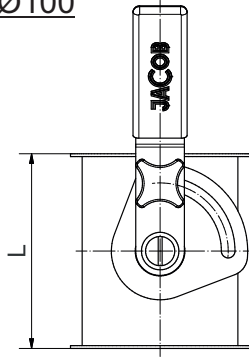
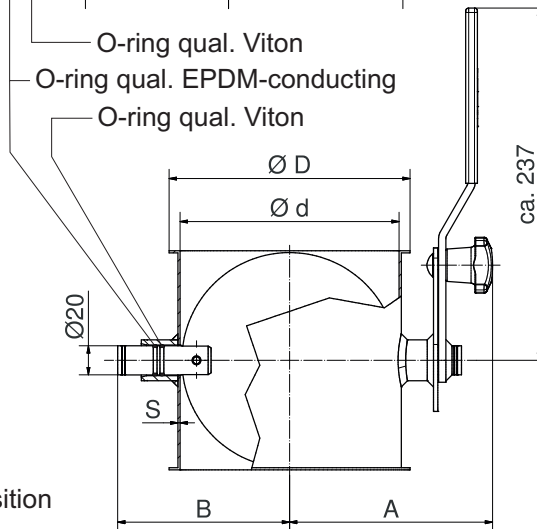
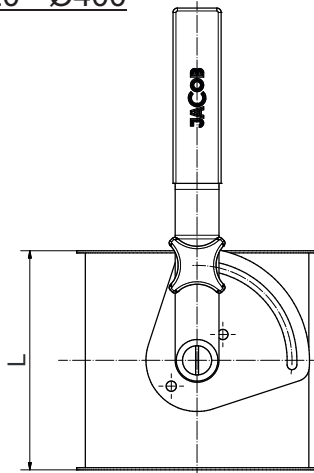


Type Ø60 - Ø100



Type Ø120 - Ø400



Flap-position = Lever position

Pipe diameter tolerance and roundness tolerance to DIN EN 10296-1
The article number refers to powder-coated version

Pipe	Ø 60	Ø 80	Ø 100	Ø 120	Ø 140	Ø 150	Ø 175	Ø 200
Article-no.	11061566	11081566	11101566	11121560	11141560	11151560	11171560	11201560
Ø d	57	77	100	120	136	150	175	200
Ø D	72	92	115	135	151	165	190	215
A	79	90	101	124	132	139	152	164
B	63	74	85	103	111	118	130	143
L	60	100	100	120	140	150	175	200
S	1,5	1,5	1,5	1,5	1,5	1,5	1,5	1,5
Weight in kg	0,70	0,90	1,10	1,90	2,20	2,40	3,00	3,50
Pipe	Ø 224	Ø 250	Ø 280	Ø 300	Ø 315	Ø 350	Ø 400	Ø
Article-no.	11221560	11251560	11281560	11301560	11311560	11351560	11401560	-
Ø d	220	250	277	300	312	349	398	-
Ø D	235	265	292	315	327	365	414	-
A	174	189	203	214	220	239	264	-
B	153	168	181	193	199	218	242	-
L	200	200	200	200	200	200	200	-
S	1,5	1,5	1,5	1,5	1,5	2	2	-
Weight in kg	3,90	4,50	5,00	5,50	6,50	7,50	9,00	-

Denomination:

**Throttle valves without seal,
hand-operated**

Date: 06/15

Datasheet-no. 8/1

Rev. 0