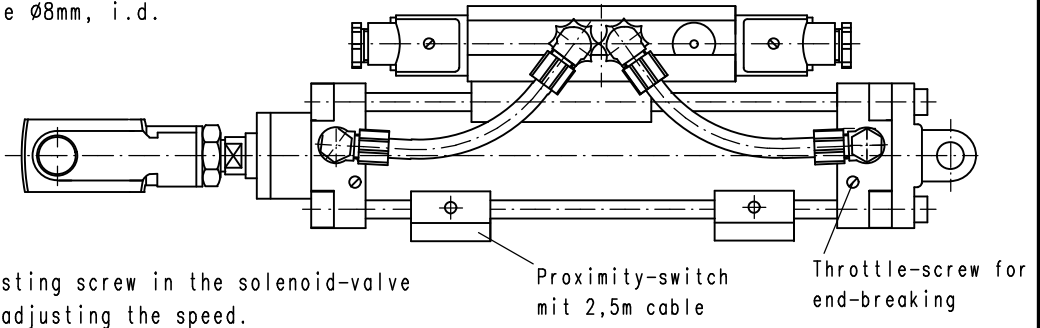
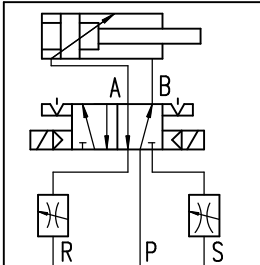


Control-components for two-way-valves, pneum. operated make Mannesmann/Rexroth

Magnetic 5/2-way impulse-valve with manual supplementary control.
Screw-in-socket for hose $\varnothing 8\text{mm}$, i.d. existing.



Cylinder with annual magnet, yoke-end and lever-fixing device (DIN ISO 6431)

Provide maintenance-unit at pneumatically operated valves.

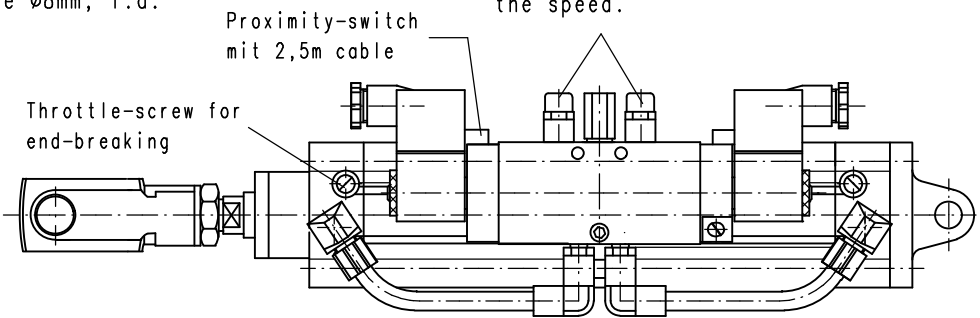
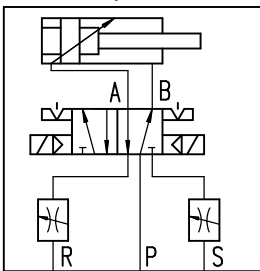
Range of temperature	-15 up to +70°C	Magnetic 5/2-way-impulse-valve NW7	Proximity-switch
Working-pressure	5 bar	Nominal current	230V, AC 24V, DC
Air-consumption (off-on) at 5bar		Nominal voltage	- 2,14W
$\varnothing 40$ stroke150	2,05l	Nominal retaining current	4,18/3,30VA
$\varnothing 50$ stroke150	3,30l	Nominal pick-up current	6,60/5,50VA
$\varnothing 63$ stroke150	5,30l	Nominal throughput	700NI/min.
$\varnothing 63$ stroke200	7,10l	Working-pressure	min. 1,5bar max. 10bar
$\varnothing 80$ stroke200	11,60l	Operating factor	100%
		Protective-system	IP 65
		Range of temperature	-15 up to +50°C
			Nominal current
			Switch-capacity
			Operating current
			Overrun speed
			Type of contact
			Connecting passage resistance
			Protective-system
			Range of temperature

Safety advice DIN 34

Control-components for two-way-valves, pneum. operated make FESTO

Magnetic 5/2-way impulse-valve with manual supplementary control.
Screw-in-socket for hose $\varnothing 8\text{mm}$, i.d. existing.

Throttles in the ventilation-hose R and S for adjusting the speed.



Cylinder with annual magnet, yoke-end and lever-fixing device (DIN ISO 6431)

Provide maintenance-unit at pneumatically operated valves.

Range of temperature	-20 up to +80°C	Magnetic 5/2-way-impulse-valve NW5	Proximity-switch
Working-pressure	5 bar	Nominal current	230V, AC 24V, DC
Air-consumption (off-on) at 5bar		Nominal voltage	- 4,5W
$\varnothing 40$ stroke150	2,05l	Nominal retaining current	7VA
$\varnothing 50$ stroke150	3,30l	Nominal pick-up current	9VA
$\varnothing 63$ stroke150	5,30l	Nominal throughput	600NL/min
$\varnothing 63$ stroke200	7,10l	Working-pressure	min. 1,5bar max. 8bar
$\varnothing 80$ stroke200	11,60l	Operating factor	100%
		Protective-system	IP 65
		Range of temperature	-5 up to +40°C
			Nominal current
			Switch-capacity
			Operating current
			Connection
			Type of contact
			Connecting passage resistance
			Protective-system
			Range of temperature

Denomination

Technical dimension-sheet
two-way-valve pneum. operated

Date	04.09.2008	
Drawing-No.	TD/K/P	Index
		3