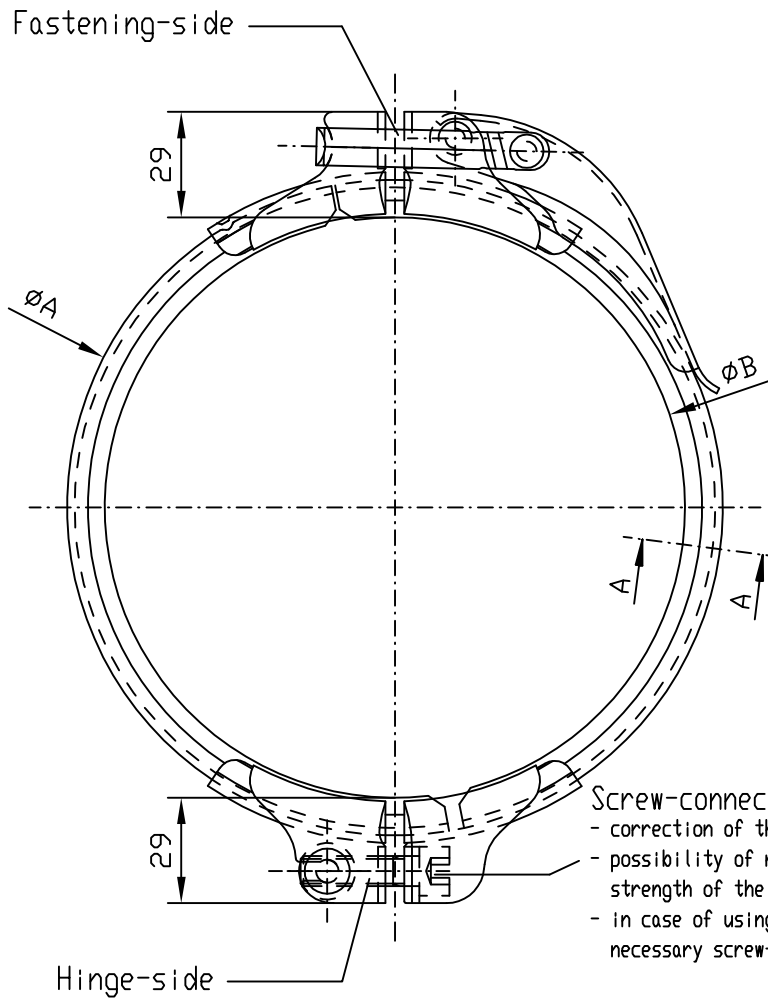
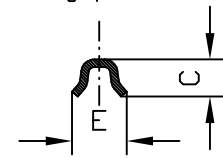


Safety advice DIN ISO 16016

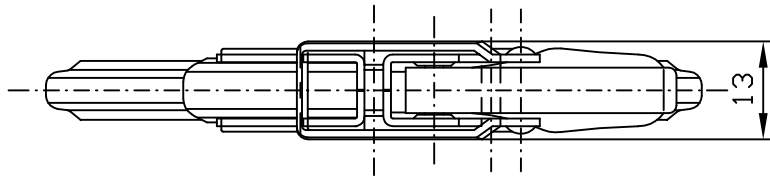


Cross-section A-A  
(ring-profile)



**Screw-connection**

- correction of the screw pre-adjustment on request
- possibility of re-adjustment for increasing the strength of the connection and the tightness
- in case of using against explosion-shock-pressure 3 bar, necessary screw-torque  $M_A = 10Nm$



Nominal diameter	350	400
Article-no. galvanized	12352903	12402903
Article-no. stainless steel	12353903	12403903
A	373	423
B	353	403
C	9,5	9,5
E	14,5	14,5
Weight in kg	0,68	0,74

Nominal diameter	80	100	120	140	150	175	200	224	250	300
Article-no. galvanized	12082903	12102903	12122903	12142903	12152903	12172903	12202903	12222903	12252903	12302903
Article-no. stainless steel	12083903	12103903	12123903	12143903	12153903	12173903	12203903	12223903	12253903	12303903
A	100	123	143	159	173	198	223	243	273	323
B	80	103	123	139	153	178	203	223	253	303
C	9	9	9	9,6	9,5	9,5	9,5	9,5	9,5	9,5
E	14	14	14	14,5	14,5	14,5	14,5	14,5	14,5	14,5
Weight in kg	0.35	0.37	0.40	0.45	0.47	0.49	0.51	0.55	0.58	0.62

Denomination: Quick Connect pull-ring  
without mastic for assembling with U-shaped seal

Date: 10.09.2012  
Drawing-No.: 5/110  
Index: 2

20/903/20903E02