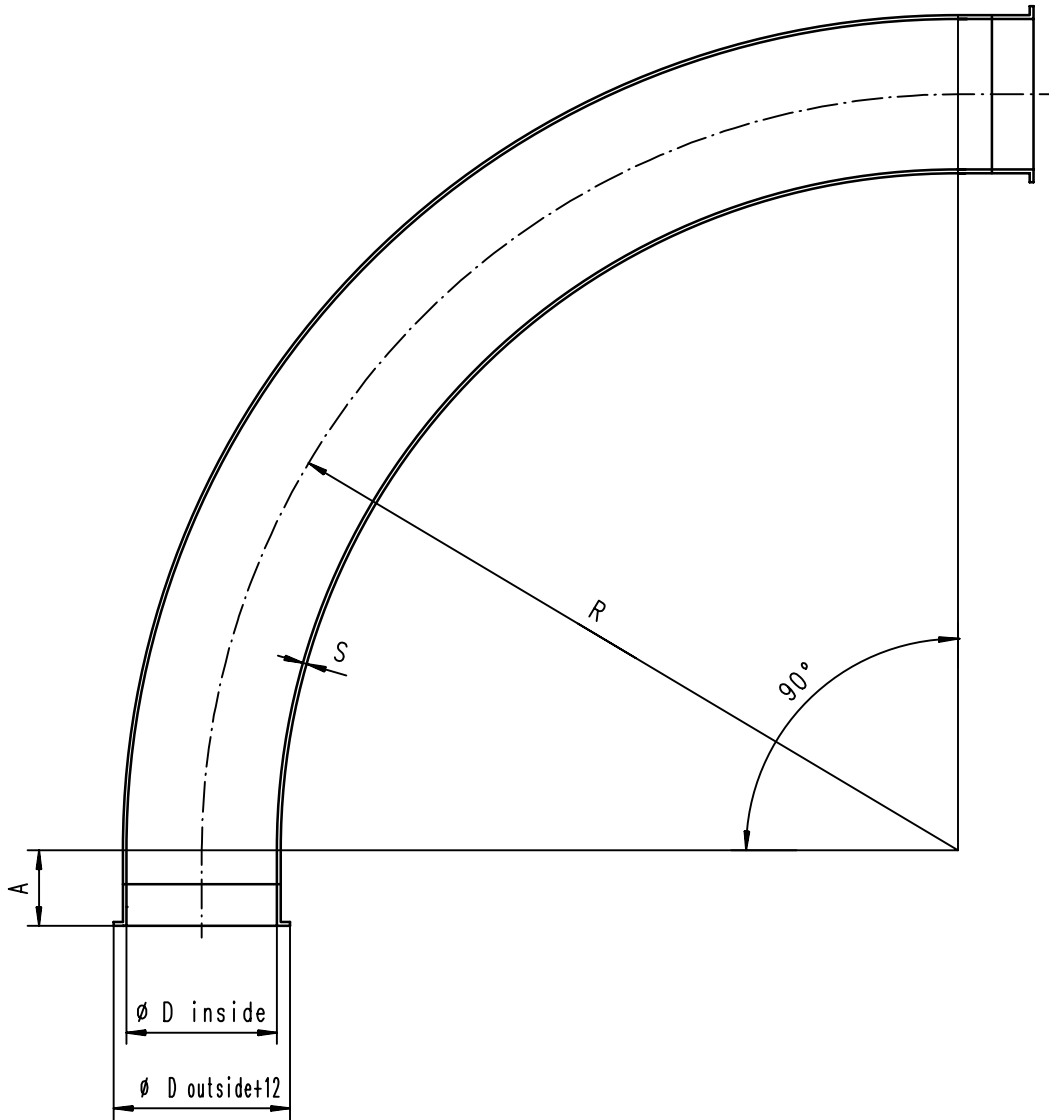


Safety advice DIN 34



Article-number for painted type

\* ) at stainless steel 2mm thick

ø Pipe	80	100	120	150	175	200	250	300
Article-no.	12081359	12101359	12121359	13151359	13171359	13201359	13251359	13301359
ø D inside	76	99	119	148	175	198	248	298
R	500	500	600	750	875	1000	1000	1200
S	2	2	2	3 *	3	3	3	3
A	---	---	---	---	---	100	100	100
weight in kg	3.4	4.1	5.7	13.5	12.4	26.2	32.8	46.4

Denomination

Bends 90°  
large radius, bended

Date

11.01.2001

Drawing-No.

4/85

Index

2