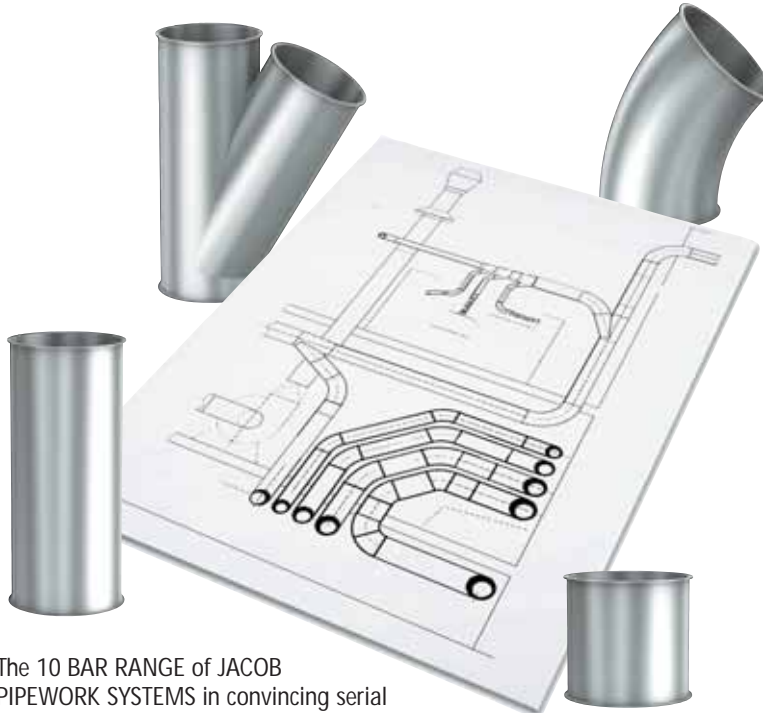


# INNOVATION HIGHLIGHTS

*10 bar shock explosion proof  
pipework system  
in serial quality*

**NEW!**



The 10 BAR RANGE of JACOB PIPEWORK SYSTEMS in convincing serial quality now meets particularly high shock explosion proof requirements.

(more on page 2)

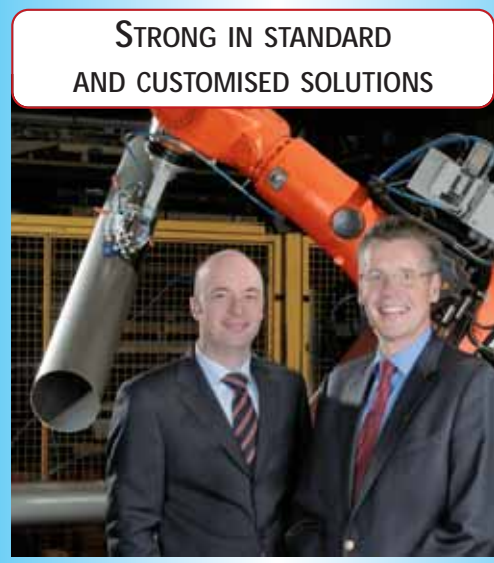
## *Shut-off valves with certified standard of quality*

The latest certification of the shut-off valves and seal also confirms AUTHENTIC JACOB quality. The DEKRA EXAM attests shock explosion resistance and also flashback resistance to 3 bar for diameters from 80 to 200 mm. An operating pressure of  $\geq 5$  bar applies for the actuators of the pneumatically controlled shut-off valves.



### INNOVATIONS IN A NUTSHELL

- Editorial: Strong in standard and customised solutions Page 1
- 10 bar shock explosion proof pipe system Page 1/3
- Certified: Tight + flashback resistant Page 1
- Strong solution expertise Page 2
- You can reach us worldwide: JACOB trade fair calendar 2010 Page 2/3
- Original JACOB - simply added value Page 2
- Tried and tested special construction: dust tight regulator gate Page 4
- Price stability still applies Page 4
- New pull-ring for 3 mm wall thickness Page 4



**STRONG IN STANDARD  
AND CUSTOMISED SOLUTIONS**

In 2010, too, JACOB PIPEWORK SYSTEMS will convince you of the unequalled expertise and quality of our modular pipework systems. The ORIGINAL JACOB brand represents a benchmark of quality which sets standards in the market place. Our customers can rely on the particular quality of our serial production using the latest manufacturing technologies and the expertise behind our in-house developed precision tools. The decisive difference lies in the process-supported detailed construction. This results in added stability, tightness and in the cost effectiveness of the pipe system in practical applications.

This competence does not just apply to our serial products, which our customers can select from the catalogue to make up the required pipe system and which have a particularly short delivery time. It also applies for a wide range of customised solutions which have been tried and tested in practice and are a special forte of ours. We have been providing these customised solutions for many years now at our customers' request. You will find some interesting examples in this newsletter. They include our solution for pneumatically conveying problematic fibrous bulk materials and another solution consisting of a specially encapsulated regulator gate model which is sealed against the penetration of dust. The particular advantage for our customers lies in the fact that we can normally provide this expertise as a customised solution using our serial production parts. This means that our customers can always rely on a high level of quality. In addition to this, we are not only able to deliver faster, but any cost advantages are passed on as price advantages. This applies too, for example, for our special „shock explosion proof to 10 bar“ range which is described in this customer information.

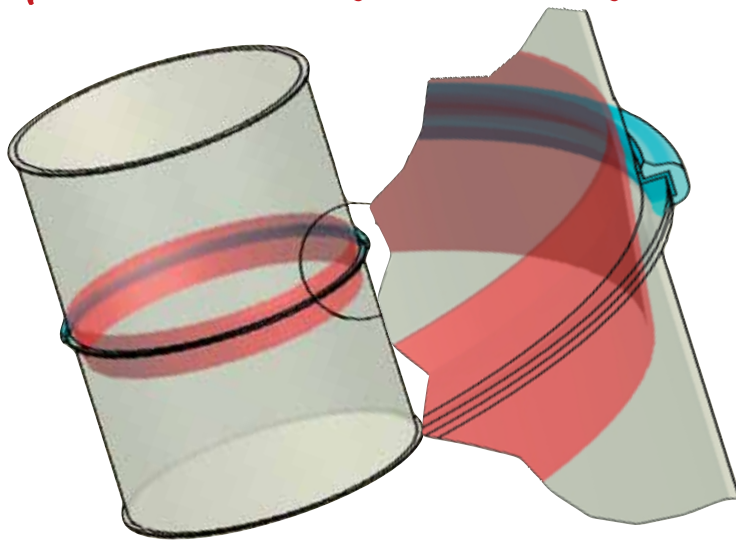
Please get in touch with us if you require a special solution for your particular application. Our in-house and field technical support will be glad to assist you. We will be displaying the particular quality and functionality of our system solutions again this year at many trade fairs in collaboration with our partners worldwide. Visit us for example at this year's POW-TECH in Nuremberg, one of the most important exhibitions internationally for process technology. We would be pleased to welcome you there to demonstrate our capabilities and to enjoy an exchange of information and ideas with you.

*Uwe Braun* *Ralf W. Borcharding*

Dr. Uwe Braun  
Director

Ralf W. Borcharding  
Director

## Strong solution expertise: Product-specific connector system with guide rings



Strong in serial production quality as well as in customised solutions using our serial products - this also applies for the JACOB pipework system using a customised solution with guide rings. This system provides a special application-specific solution. It can be used for instance in dust extraction pipes in the tobacco industry, the pulp industry or in many other industries besides.

### The solution: pipework system with guide rings

In this case the JACOB system provides a customised solution with guide rings from

its serial production, which minimises costs as a result. The serially produced pipe segments are fitted with a guide ring which is pressed in at one end. The free passage is not affected by this procedure. The result achieved with this connector system further enhances the installation friendliness.

This combination of pull-ring/flange sealing ring also achieves the customary tightness. JACOB PIPEWORK SYSTEMS provides this system in diameters of 100 to 400 mm in powder-coated or stainless steel quality as standardised special solution at only a minimum added cost.

We would be pleased to advise you whether this system would be suitable as a specific solution for your particular application.

*Guaranteed safe -  
new certification up  
to 3 bar*

*The JACOB shock explosion  
proof to 3 bar range has  
recently been extended.  
New certification up to  
a diameter of 800 mm  
has been awarded for pipes,  
segments and bends,  
conical pieces and also  
T-pieces.*



### JACOB GROUP - AVAILABLE WORLDWIDE

With more than 35 representatives located in 33 countries around the world, JACOB PIPEWORK SYSTEMS is widely represented. In 2010, we will once again present our pipe system at numerous trade shows, both at home and abroad. In the following, you will find a selected listing of our trade shows. A more complete, constantly updated list of trade shows can be found on our website at [www.pipe-systems.eu](http://www.pipe-systems.eu). We would be pleased if you could visit us at these shows to exchange ideas and professional experience.

**TUBE**  
International Tube and Pipe Trade Fair  
April 12<sup>th</sup> - 16<sup>th</sup>, 2010  
Düsseldorf / Germany  
Exhibitor: EUROTUBI/JACOB PIPEWORK SYSTEMS

**Chem Pro Tech India**  
International Exhibition on chemical process technology & equipment.  
April 15<sup>th</sup> - 16<sup>th</sup>, 2010  
Mumbai/India  
Exhibitor: Torna Engineering

**POWTECH, Nürnberg**  
International Trade Fair for Mechanical Processing Technologies and Instrumentation  
April 27<sup>th</sup> - 29<sup>th</sup>, 2010  
Nuremberg / Germany  
Exhibitor: JACOB MODULAR PIPEWORK SYSTEMS

**Powder Show**  
May 4<sup>th</sup> - 6<sup>th</sup>, 2010  
Chicago, IL/USA  
Exhibitor: Jacob Tubing

**UFI**  
54<sup>th</sup> INTERNATIONAL FAIR OF TECHNIQUE AND TECHNICAL ACHIEVEMENTS  
May 11<sup>th</sup> - 15<sup>th</sup> 2010  
Beograd / Serbia  
Exhibitor: Aquadyn Doo

**Total Process and Packaging**  
Integrated Processing + Packaging Show  
May 25<sup>th</sup> - 27<sup>th</sup>, 2010  
Birmingham/United Kingdom  
Exhibitor: Jacob (UK) Ltd.

**PulPaper**  
Intern. Exhibition for suppliers for the pulp and paper  
June 1<sup>st</sup> - 3<sup>rd</sup> 2010  
Helsinki / Finland  
Exhibitor: Hartek Oy

**POLAGRA TECH**  
13<sup>th</sup> - 16<sup>th</sup>, 2010  
Poznan/Poland  
Exhibitor: PROORGANIKA

# High shock explosion proof requirement to 10 bar - no problem for us

In view of statutory requirements, customers are increasingly asking us to meet particularly high shock explosion proof standards for bulk goods or dedusting pipe-work. In fact, the JACOB pipework system is able to meet requirements of up to 10 bar at customers' request. This system uses the easy-to-install solution of a lightweight construction system with a pull-ring connection. A further advantage



for our customers is that thanks to the DEKRA EXAM-certified range, our serial production components form the basis for the prefabricated components used. This results in advantages both in price and in

fast delivery time for this customised solution.

## Original JACOB - simply added value



The advantages of the JACOB modular system for bulk materials, dust extraction and exhaust air extraction (diameters from 60 to 800 mm):

- ✓ **Superior serial production quality:**  
Due to in-house developed precision tools which are used in the very latest manufacturing technologies;
- ✓ **Lightweight construction system:**  
With wall thicknesses of 1 to 3 mm (in a large range of diameters);
- ✓ **Innovative powder-coating:**  
Standard supply with this system (electrostatically conductive + FDA), alternatively available in stainless steel or with a galvanised surface;
- ✓ **Precisely tailored diversity of variants:**  
Applies for all system components;
- ✓ **Easy to install:**  
Particularly with pull-ring connection;
- ✓ **Tighter connections:**  
Due to optimised profile adaptation with coordinated tools;
- ✓ **Shock explosion proof quality standard:**  
Up to 3 bar (up to 10 bar available upon request);
- ✓ **Fast delivery capability:**  
From Europe's largest warehouse of its kind;
- ✓ **Tried and tested customised solution competence:**  
On the basis of proven serial production;
- ✓ **Added value due to quality of detail:**  
Plus high innovation, detail precision, stability and system tightness.

Ask for our product catalogue:  
service hotline +49-571 95580 or at [www.jacob-rohre.de](http://www.jacob-rohre.de)

## Technical solution in proven JACOB quality

In diameters of 100 to 200 mm, the standard modular-based parts are available ex stock. Pull-rings and moulded parts from our serial production can be adapted within a short time for the customised solution required. During assembly, the pull-ring screws must be tightened to a torque of 25 Nm in order to guarantee that the system is shock explosion proof to 10 bar. This system also proves advantageous due to its fast dismantling time for maintenance, replacement or cleaning.

Apart from the most common diameters, customers' „10 bar shock explosion proof“ requirements can also be met for larger diameters up to 300 mm, or also the small diameter of 80 mm, as a customised solution with a pull-ring connection. The system is available with a powder-coated surface or also in stainless steel. Our technical support would be glad to assist you.

**MSV**  
52<sup>nd</sup> International Engineering Fair  
September 13<sup>th</sup> - 17<sup>th</sup>, 2010  
Brno/Czech Republic  
Exhibitor: Jelinek Trading spol. s r.o.

**IMTS**  
September 13<sup>th</sup> - 18<sup>th</sup>, 2010  
Chicago, IL/USA  
Exhibitor: Jacob Tubing

**Packaging**  
September 16<sup>th</sup> - 19<sup>th</sup>, 2010  
Istanbul/Turkey  
Exhibitor: Inan Plastik

**PacTec**  
Packaging an materials handling  
September 21<sup>st</sup> - 24<sup>th</sup> 2010  
Helsinki / Finland  
Exhibitor: Hartek Oy

**Industrial Processing**  
Process Equipment, Engineering, Process automation  
October 5<sup>th</sup> - 8<sup>th</sup>, 2010  
Utrecht /Netherlands  
Exhibitor: VDL Industrial Products BV

**M + E**  
Building Services Event  
October, 6<sup>th</sup>-7<sup>th</sup>, 2010  
London/United Kingdom  
Exhibitor: Jacob (UK) Ltd

**Agricultural equipment and farmstead**  
October 7<sup>th</sup> - 10<sup>th</sup>, 2010  
Valdlauci, Kekavas novads/Latvia  
Exhibitor: SIA PREISS AGRO

**MAINTAIN**  
International Trade Fair for industrial Maintenance  
October 12<sup>th</sup> - 14<sup>th</sup>, 2010  
Munich / Germany  
Exhibitor: JACOB MODULAR PIPEWORK SYSTEMS

**IPA International Process Alimentaire**  
World Food Process Exhibition  
October, 17<sup>th</sup> - 21<sup>st</sup>, 2010  
Paris-Nord Villepinte/France  
Exhibitor: Jacob-Dosatec Sarl

**Food & Beverage Tech**  
Agriculture Trade Fair  
October 29<sup>th</sup> - 31<sup>st</sup>, 2010  
Mumbai / India  
Exhibitor: Torna Engineering

**EIMA**  
International Agricultural Machinery Exhibition  
November, 10<sup>th</sup> - 14<sup>th</sup>, 2010  
Bologna / Italy  
Exhibitor: EUROTUBI s.r.l.

**Plast Eurasia Istanbul**  
December 2<sup>nd</sup> - 5<sup>th</sup>, 2010  
Istanbul/Turkey  
Exhibitor: Inan Plastik

## *Tried and tested special construction Dust tight regulator gate rounds off performance spectrum*

The range of regulator gates in the JACOB pipework system offers the right bulk materials solution for the most wide-ranging applications at a fair price-performance ratio. By adapting standardised serial parts, customers can rest assured that proven expertise from long experience will be used to best advantage for individual customised solutions too. The product variant of the encapsulated regulator gate is a good example of this. The regulator gate is required to be absolutely tightly sealed. This was achieved on the basis of the serially-produced regulator gate by providing a special casing which makes the shut-off device completely dust tight towards the outside.

Alternative pneumatic actuators can be provided at the customer's request. JACOB PIPEWORK SYSTEMS have efficient expertise at their fingertips which has been tried and tested in long years of experience and which allows them to individually adapt serial production parts. This is just one of many examples. Please do not hesitate to get in touch with our customer consultants if you are looking for an individual solution using adapted serial parts in ORIGINAL JACOB quality.



## *Price stability continues in 2010*

Like last year we will be keeping our prices stable for as long as possible. Increases in productivity or purchasing advantages will be passed on to our customers and will promote general economic recovery. The pricing of our current catalogue remains valid as a result.

Request a catalogue:  
hotline +49 (0) 571 9558-0 or at  
[www.jacob-rohre.de](http://www.jacob-rohre.de)



### Contact

Export Department  
Karl-Heinz Burmester,  
Phone +49 (0)571 9558-234  
Jan Sundermann,  
Phone +49 (0)571 9558-239  
Irina Wölk,  
Phone +49 (0)571 9558-329

Technical support  
Thomas Granz,  
Phone +49 (0)571 9558-327

Marketing  
Thorsten Meinsen (V.i.S.d.P.),  
Phone +49 (0)571 9558-181

Fr. Jacob Söhne GmbH & Co.  
JACOB PIPEWORK SYSTEMS  
Niedernfeldweg 14,  
32457 Porta Westfalica, Germany,  
Phone +49 (0)5 71 95 58-0,  
Fax +49 (0)5 71 95 58-160,  
[post@jacob-rohre.de](mailto:post@jacob-rohre.de)

[www.pipe-systems.eu](http://www.pipe-systems.eu)  
[www.jacob-rohre.de](http://www.jacob-rohre.de)  
[www.tubing-systems.net](http://www.tubing-systems.net)

## *Tight - sturdy - economical New pull-ring for 3 mm pipework.*

A new feature of the JACOB serial range is the two-part pull-ring with flange-sealing ring for a wall thickness of 3 mm. It complements the two-part pull-ring with sealing compound and is an excellent solution for applications with repeated dismantling requirements, such as for cleaning. The profile of the new pull-ring (article number 12—926) is designed for reliable combination with the flange-sealing rings (catalogue pages 20/21), as already available for 2 mm wall thicknesses.



### *Good connection*

The right connection makes all the difference where tightness is concerned. This is where AUTHENTIC JACOB quality pays off due to the perfectly coordinated and precise interaction between the flanged edges with the pull-ring and flange sealing ring. The use of state-of-the-art manufacturing technologies guarantees reliable, serially-produced precision of the flanged edge around every pipe segment. The flanged edge must be flawless all round without any unevenness or fluctuations in the wall thickness. Inexactitudes like these are barely visible to the naked eye. The precisely coordinated profiles of the pull-ring and the flange sealing ring, together with the high-quality flanging, are responsible for achieving a tight seal. This avoids any nasty surprises later during practical service. Maximum tightness is guaranteed, especially in applications involving powdery bulk materials right through to those involving exhaust air containing oil mist.